

**NARCO'S  
COMPLETE "LIVELY LINE"  
OF BOTTLE COOLERS  
DESIGNED  
EXCLUSIVELY  
FOR BOTTLERS OF  
COCA-COLA**



®NARCO is a registered trade-mark of The Navarre Corporation  
"Coca-Cola" and "Coke" are registered trade-marks which identify  
only the product of The Coca-Cola Company



**CFT-21S  
SHALLOW WELL COOLER**

NARCO'S Shallow Well Cooler with rugged steel pedestal as standard equipment.



**CFT-30**

Small but ruggedly dependable for years of service in the smaller outlets.



**CFT-40**

Medium in size but giant in capacity for the larger volume outlet.

**Every bottle cooler in the Narco "Lively Line" gives you these all-important plus features:**

- Stainless steel foamed-in-place counter tops
- Stainless steel foamed-in-place sliding lids reduce sweating
- Crown catchers can be removed easily and quickly
- Single unit construction provides solid strength and super-efficient insulation
- Refrigeration systems on all 4 coolers are completely and easily removable



©NARCO is a registered trade-mark of The Navarre Corporation.



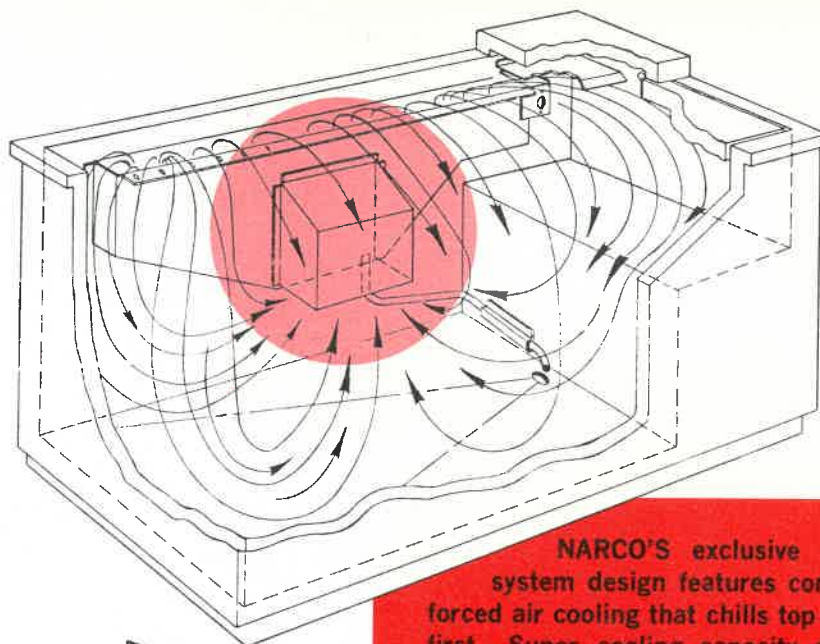
**CFT-54**

Big capacity combined with performance where it counts in the high-volume location.

**NARCO®**

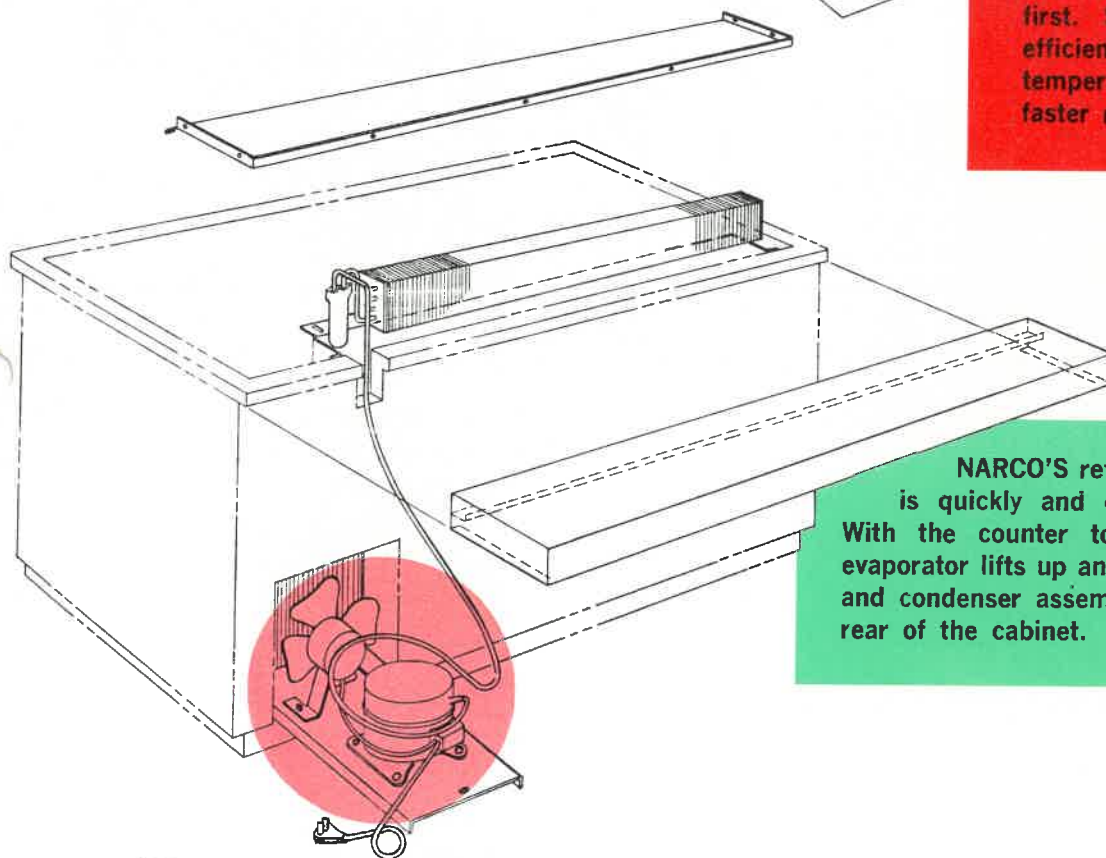
**DRY CIRCULATED AIR,  
FLAT TOP COOLERS**

Walls & Stainless Steel Lids with  
Polyurethane Foamed-in-Place Insulation

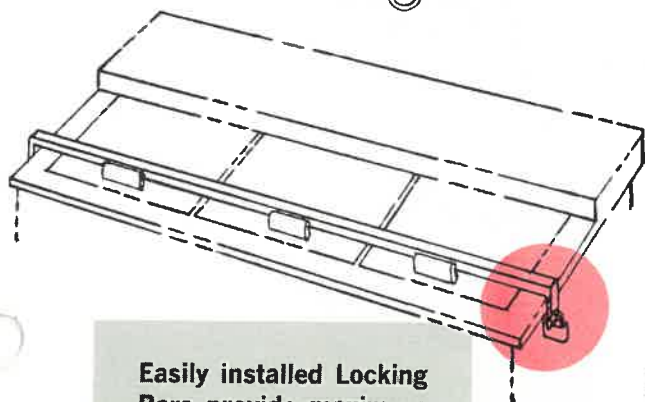


NARCO'S exclusive cooling system design features controlled forced air cooling that chills top bottles first. Super cooling capacity assures efficient operation in prolonged high temperatures, quick initial pulldown, faster recovery.

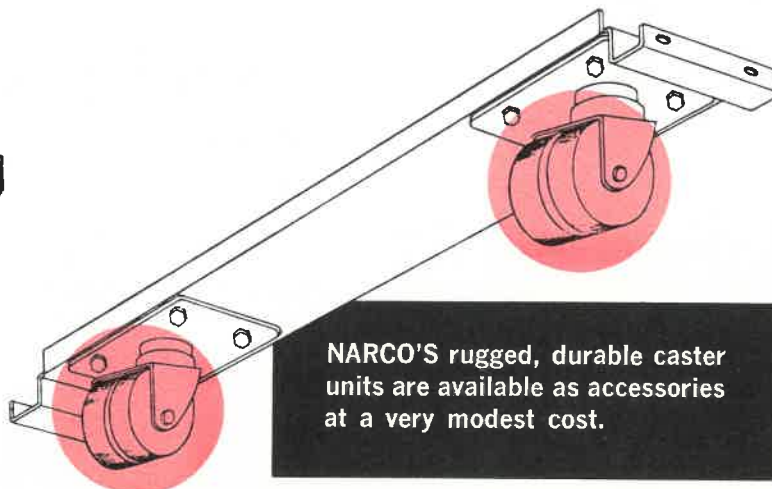
Model No.	Capacity (Cases)	Wire Dividers		Approx. Shipping Weight	Price
		Large	Small		
CFT-21S	21½	2	1	285 lbs.	\$239.95
CFT-30	30	3	1	305 lbs.	295.00
CFT-40	40	4	1	355 lbs.	357.00
CFT-54	54	5	1	470 lbs.	402.50



NARCO'S refrigeration system is quickly and easily removable. With the counter top removed, the evaporator lifts up and the compressor and condenser assembly slide out the rear of the cabinet.



Easily installed Locking Bars provide maximum security. Available on all NARCO Open Bottle Coolers as an optional, low cost accessory.



NARCO'S rugged, durable caster units are available as accessories at a very modest cost.





NARCO bottle coolers get 'em colder . . . keep 'em colder . . . more economically!

**THERE'S A NARCO QUALITY BOTTLE COOLER MADE BETTER JUST FOR YOU. ORDER THE SIZE THAT SUITS YOUR NEEDS BEST. BUT BE SURE IT'S FROM THE "LIVELY LINE" OF BOTTLE COOLERS, DESIGNED FOR AND SOLD EXCLUSIVELY TO BOTTLERS OF COCA-COLA.**



Pioneer Bank Building  
Chattanooga, Tennessee 37402

®NARCO is a registered trade-mark of The Navarre Corporation

"Coca-Cola" and "Coke" are registered trade-marks which identify only the product of The Coca-Cola Company.